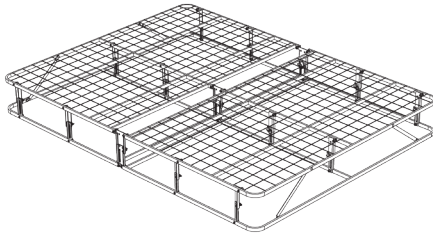


Reverie® EZ-Lift™ Flat Foundation

Frame Assembly Instructions



The height of the EZ-Lift™ Flat Foundation can be adjusted to either 9" or 5" in height.

PACKAGE CONTENTS

- Flat Foundation
- Foundation Cover
- Allen Key Wrench & Spare Parts

SAFETY PRECAUTIONS

IMPORTANT UNPACKING INSTRUCTIONS

To avoid damage to the foundation, always open the carton while the foundation is laying **FLAT** on the floor.

SMALL CHILDREN AND PETS WARNING:

After your foundation has been unboxed, immediately dispose of packaging as it can smother small children and pets. To avoid injury, children and pets should not be allowed to play on or under the foundation.

SAVE THESE INSTRUCTIONS:

Your foundation has been designed to provide you with the reliable operation and durability you expect. This product has been inspected prior to shipment.

WARNING: PINCH POINTS Keep hands clear

WARRANTY

Your foundation comes with a 1 Year Limited Warranty. For full warranty information, please visit our website at: <https://reverie.com/support>

Register Online

For easy registration of your warranty visit: <https://reverie.com/register-your-warranty>
Please prepare a digital copy of your proof of purchase (invoice or sales receipt) when registering online. You may be required to provide the Serial Number for registration.

Manufactured by Reverie®

For Warranty and Service:

flatfoundation@reverie.com

Include your foundation product code and serial number, and attach your purchase receipt.

STEP 1

Carefully pull the folded foundation out of the shipping carton then remove and discard the plastic bag. Unfold the foundation to flat, keeping the unit top side down. For safety reasons, this should be performed by **2 people**.

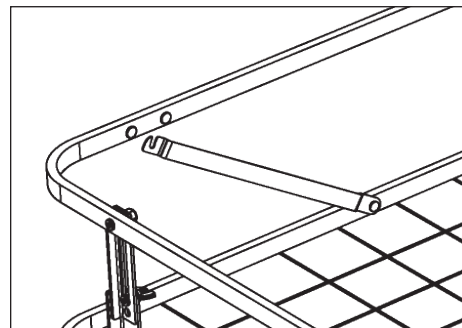
This foundation has a default out-of-box height of 9". To convert to 5", skip to the "For 5" Height Setup" section before completing Steps 2 and 3. If not, proceed to the next step.

WARNING: PINCH POINTS
KEEP HANDS CLEAR

WARNING: PACKAGING MATERIAL MAY SMOTHER SMALL CHILDREN AND PETS

STEP 2

Make sure the foundation is fully unfolded and stable on the floor. Secure the four reinforcement linkages located on the inner side of the foot and head ends of the foundation by hooking them onto the corresponding studs on the bottom frame. The inner stud is for the 9" height, the outer stud is for the 5" height.



STEP 3

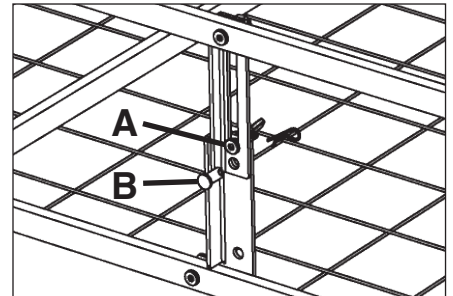
Unpack the stretch-fit cover and put it onto the foundation while in the upside down position. Do so by aligning all four corners of the cover underneath the foundation, then pull each corner all the way around the bottom frame. Use the drawstring to tighten the cover opening at the bottom for a snug fit. You can now flip the foundation over to the top side up position. Your setup is now complete.

* FOR 5" HEIGHT SETUP ONLY

STEP 1.1*

To convert the profile height to 5", first make sure that the foundation is upside down. On each vertical support (15 total), *loosen* each Wing Nut & Bolt set (A, 18 total) with the Allen Key Wrench (DO NOT remove them). Then, disassemble each Clevis Pin set (B) below each support slot. Now, **carefully** lower the entire frame down to 5", **with 2 people**.

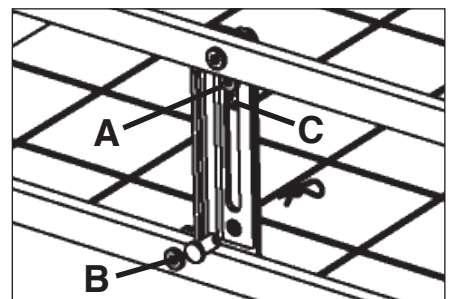
WARNING: DO NOT REMOVE THE WING NUTS COMPLETELY FROM THE WING NUT & BOLT SETS (A) PINCH POINTS KEEP HANDS CLEAR



STEP 1.2*

Two holes should now be aligned on the *bottom* of each support slot. Reinstall the Clevis Pin sets (B) into these holes on each vertical support. Then, retighten each Wing Nut & Bolt set (A) with the Allen Key Wrench.

WARNING: DO NOT INSTALL THE CLEVIS PIN SETS (B) INTO THE TOP HOLES (C) FOR THE 5" SETUP.



STEP 1.3*

To finish the foundation setup, go back to Steps 2 & 3.