

REMOTE CONTROL OPERATION & PROGRAMMING

OPERATING INSTRUCTIONS

POWER BASE HEAD AND FOOT ADJUSTMENT

Adjusts the head and foot sections to the desired positions.

FOUNDATION "FLAT" BUTTON

Return both head and foot to the flat position.

ZERO GRAVITY

Allows your legs to be lifted to a position slightly above the chest, which enables blood flow to easily circulate back to the heart, thus reducing stress and fatigue.

LOCK

Press the Lock button for 3 seconds, the remote will not be functional until you press the lock key for 3 seconds again.

PROGRAMMABLE MEMORY BUTTONS

You can store 2 personalized memory positions. Press and hold the "SET" button for 3 seconds until the LED light flashes once and then stays lit, then press button "1" or "2" to store the position. The LED will turn off after the process is complete.

LIGHT

Press to turn on/off the Nightlight under the bed.

HEAD AND FOOT MASSAGE CONTROLS

Turns on the corresponding massage unit (starting at intensity 5 of 10). To increase massage intensity, press (+) button. To decrease massage intensity, press (-) button.

MESSAGE TIMER

Press the timer button to cycle the operation time from 15-30-45-off.

NOTE: If no time is set for the massage, it will run for 30 minutes.

WIRELESS REMOTE PAIRING PROCESS

STEP 1

Place batteries into the remote control (3 x AAA batteries)

STEP 2

Ensure the power base is plugged into a functioning outlet.

STEP 3

Press the pair button on the control box for 3 seconds.

STEP 4

The indicator light will begin to flash rapidly.

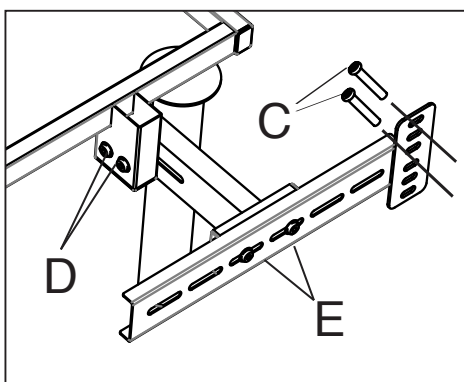
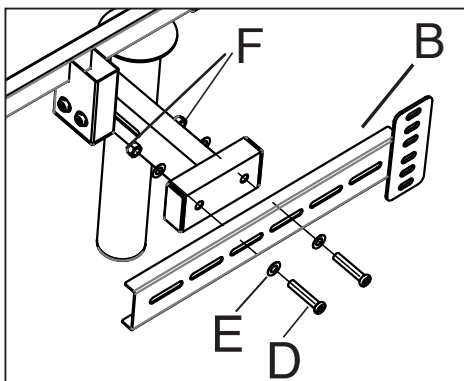
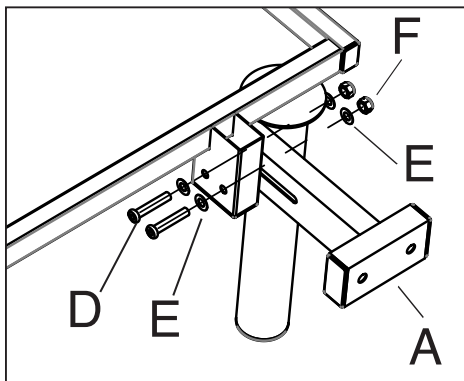
STEP 5

Press any button on the remote control within 30 seconds to pair successfully.

STEP 6

When the receiver light stops flashing and turns solid, you have completed the learning process of the RF frequency code.

NOTE: When you press multiple buttons at the same time, the system will identify an invalid operation, except for special combination keys.



PAIRING 1 REMOTE TO 2 BASES

Each base is already paired with the remote control that comes with it. Each control box has space in its memory to remember two remote controls. King/ Cal King units require you to pair at least 1 remote to both bases so that both bases will move in sync when using that remote. You can also pair two remotes to two bases, so that either remote can control both bases at the same time. When reading these instructions assume that you have two power bases (either two TXL or two Split Cal King bases), and two remote controls – one that came with each base. We will call these Base 1 and Base 2, and Remote 1 (for Base 1) and Remote 2 (for Base 2).

If you want to marry Remote 2 to base 1:

Take “Remote 2” and press the learn button on the PLC for “base 1”. When the indicator light lights up, press any button on “Remote 2”. As soon as the LED begins to Blink, release the button on “Remote 2”. Do NOT hold the remote button after the light blinks, and do NOT press it again (see Note below). If you do you will remove Remote 1 from base 1’s memory. Wait until the indicator light turns solid and then turns off. Now both remotes will operate base 1.

If you want to marry Remote 1 to base 2:

Take “Remote 1” and press the learn button on the PLC for “base 2” When the indicator light lights up, press any button on “Remote 1”. As soon as the LED begins to Blink, release the button on “Remote 1”. Do NOT hold the remote button after the light blinks, and do NOT press it again (see Note below). If you do you will remove Remote 2 from base 2’s memory. Wait until the indicator light turns solid and then turns off. Now both remotes will operate both bases in tandem.

Note: While the light is blinking if you release the button on the remote and press it a second time, or if you continue to hold the button the PLC

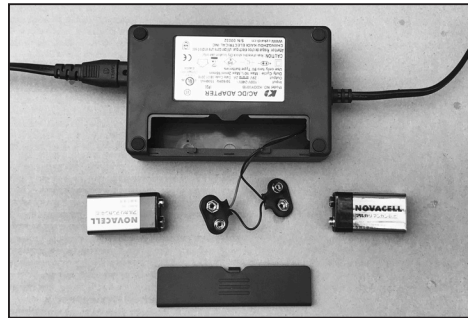
can jump to the second slot and kick out the first remote. This is why some people have a difficult time joining the remotes. If they are patient and follow the process described they will not have a problem.

EMERGENCY POWER DOWN FEATURE

Your Power Base has an emergency lowering feature in the event that your base is in the raised position and has lost power due to a power outage.

STEP 1

Locate and remove the cover for the 9 volt batteries.



STEP 2

Install two (2) alkaline 9 volt batteries. (Not included)



STEP 3

Put the batteries back in the compartment and close the cover.



STEP 4

Press the Flat button to lower the base to flat position during a power outage.



Your bed should lower to the flat position.

NOTE: The two (2) 9 volt batteries are only intended to be used once. After you complete the emergency lowering, the batteries need to be replaced with new alkaline batteries.